



## Armatherm™ Non-Metallic Z-Girt

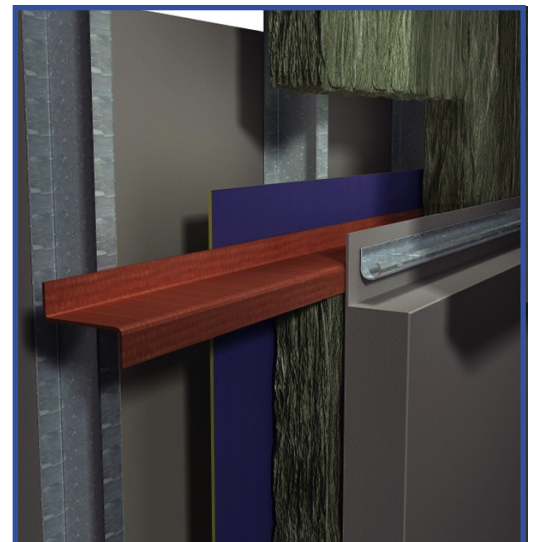
Non-metallic Z-girts are an ideal product for furring exterior walls on a new/existing masonry or steel stud backing. Armatherm™ Z-girts were developed to reduce heat lost in the building envelope while increasing the effective R-value of the total wall assembly.

### Product Data:

Material: Fibre-reinforced plastic  
 Stock Lengths: 9'0" long

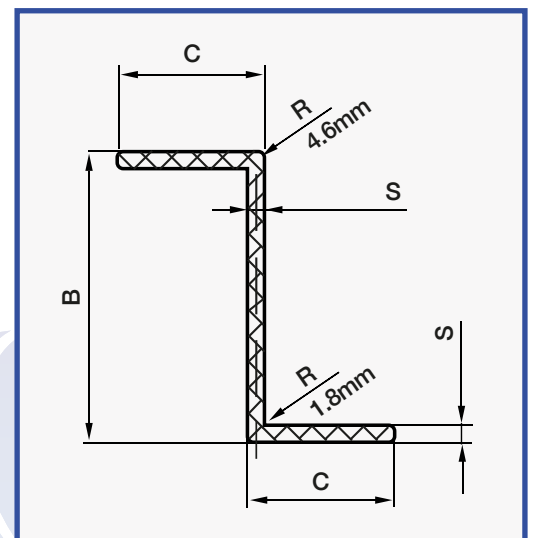
| 10% of a crate "Bundle" |                |        |              |
|-------------------------|----------------|--------|--------------|
| Z-Girt Depth            | Lineal Footage | Sticks | Weight (lbs) |
| 1.5"                    | 360            | 40     | 200          |
| 2"                      | 330            | 37     | 222          |
| 2.5"                    | 300            | 34     | 221          |
| 3"                      | 270            | 30     | 210          |
| 4"                      | 160            | 18     | 216          |

| Full Crates  |                |        |              |
|--------------|----------------|--------|--------------|
| Z-Girt Depth | Lineal Footage | Sticks | Weight (lbs) |
| 1.5"         | 3,600          | 400    | 2,100        |
| 2"           | 3,303          | 367    | 2,302        |
| 2.5"         | 2,998          | 334    | 2,271        |
| 3"           | 2,700          | 300    | 2,200        |
| 4"           | 1,600          | 178    | 2,236        |



Armatherm™ Z-Girt with a steel stud backing

| Item                   | Dimensions, mm |           |           |
|------------------------|----------------|-----------|-----------|
|                        | B              | C         | S         |
| Armatherm™ Z-Girt 1.5" | 38.1 ± 0.20    | 38 ± 0.20 | 4.0 ± 0.2 |
| Armatherm™ Z-Girt 2.0" | 50.8 ± 0.25    |           |           |
| Armatherm™ Z-Girt 2.5" | 63.5 ± 0.30    |           |           |
| Armatherm™ Z-Girt 3.0" | 76.2 ± 0.35    |           |           |
| Armatherm™ Z-Girt 4.0" | 101.6 ± 0.5    | 51 ± 0.25 | 5.0 ± 0.2 |



Armatherm™ Z-Girt Profile



www.armatherm.com

# Product Submittal Sheet

## Project Information

Project Name:

Address:

Girt Depth:

---

## Contractor Information

Name:

Contact:

Phone:

Fax:

---

## Architect Information

Name:

Contact:

Phone:

Fax:

