



www.armatherm.com

Product Submittal Sheet

Armatherm™ Non-Metallic Z-Girt

Non-metallic Z-girts are an ideal product for furring exterior walls on a new/existing masonry or steel stud backing. Armatherm™ Z-girts were developed to reduce heat loss in the building envelope while increasing the effective R-value of the total wall assembly.

Product Data:

Material: Fibre-reinforced plastic

Stock Lengths: 9'0" long

10% of a crate "Bundle"

Z-Girt Depth	Lineal Footage	Sticks	Weight (lbs)
1.5"	360	40	200
2"	330	37	222
2.5"	300	34	221
3"	270	30	210
3.5"	171	19	195
4"	160	18	216
6"	126	14	224

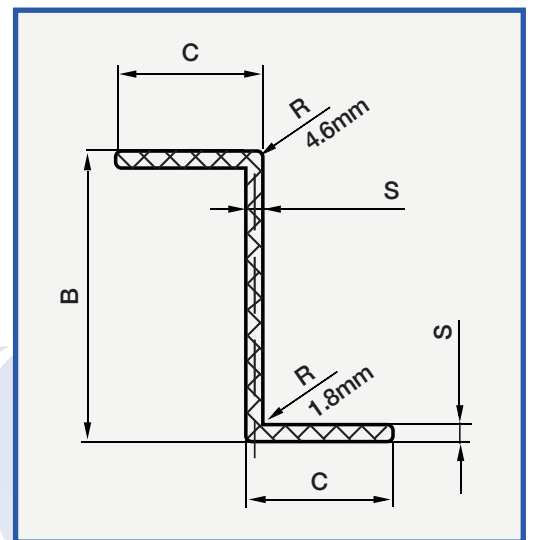
Full Crates

Z-Girt Depth	Lineal Footage	Sticks	Weight (lbs)
1.5"	3,600	400	2,100
2"	3,303	367	2,302
2.5"	2,998	334	2,271
3"	2,700	300	2,200
3.5"	1,701	189	1,950
4"	1,600	178	2,236
6"	1,251	139	2,015



Armatherm™ Z-Girt with a steel stud backing

Item	Dimensions, mm		
	B	C	S
Armatherm™ Z-Girt 1.5"	38.1 ± 0.20	38 ± 0.20	4.0 ± 0.2
Armatherm™ Z-Girt 2.0"	50.8 ± 0.25	38 ± 0.20	4.0 ± 0.2
Armatherm™ Z-Girt 2.5"	63.5 ± 0.30	38 ± 0.20	4.0 ± 0.2
Armatherm™ Z-Girt 3.0"	76.2 ± 0.35	38 ± 0.20	4.0 ± 0.2
Armatherm™ Z-Girt 3.5"	89 ± 0.4	45.7 ± 0.20	5.0 ± 0.2
Armatherm™ Z-Girt 4.0"	101.6 ± 0.5	51 ± 0.25	5.0 ± 0.2
Armatherm™ Z-Girt 6.0"	154.1 ± 0.6	45.7 ± 0.20	5.0 ± 0.2



Armatherm™ Z-Girt Profile



www.armatherm.com

Product Submittal Sheet

Project Information

Project Name:

Address:

Girt Depth:

Contractor Information

Name:

Contact:

Phone:

Fax:

Architect Information

Name:

Contact:

Phone:

Fax:

