



Armatherm™ Non-Metallic Z-Girt

Non-metallic Z-girts are an ideal product for furring exterior walls on a new/existing masonry or steel stud backing. Armatherm™ Z-girts were developed to reduce heat loss in the building envelope while increasing the effective R-value of the total wall assembly.

Product Data:

Material: Fibre-reinforced plastic
 Stock Lengths: 9'0" long

10% of a crate "Bundle"

Z-Girt Depth	Lineal Footage	Sticks	Weight (lbs)
1.5"	360	40	200
2"	333	37	222
2.5"	306	34	221
3"	270	30	210
3.5"	171	19	195
4"	162	18	216
6"	126	14	224

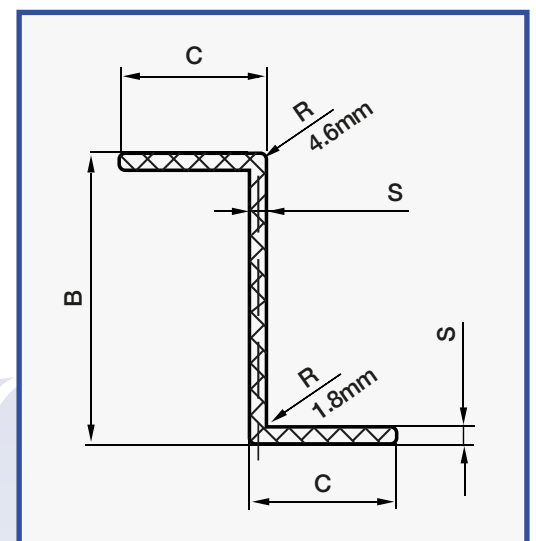
Full Crates

Z-Girt Depth	Lineal Footage	Sticks	Weight (lbs)
1.5"	3,600	400	2,100
2"	3,303	367	2,302
2.5"	3,006	334	2,271
3"	2,700	300	2,200
3.5"	1,701	189	1,950
4"	1,602	178	2,236
6"	1,251	139	2,015

Item	Dimensions, mm		
	B	C	S
Armatherm™ Z-Girt 1.5"	38.1 ± 0.20	38 ± 0.20	4.0 ± 0.2
Armatherm™ Z-Girt 2.0"	50.8 ± 0.25	38 ± 0.20	4.0 ± 0.2
Armatherm™ Z-Girt 2.5"	63.5 ± 0.30	38 ± 0.20	4.0 ± 0.2
Armatherm™ Z-Girt 3.0"	76.2 ± 0.35	38 ± 0.20	4.0 ± 0.2
Armatherm™ Z-Girt 3.5"	89 ± 0.4	45.7 ± 0.20	5.0 ± 0.2
Armatherm™ Z-Girt 4.0"	101.6 ± 0.5	51 ± 0.25	5.0 ± 0.2
Armatherm™ Z-Girt 6.0"	154.1 ± 0.6	45.7 ± 0.20	5.0 ± 0.2



Armatherm™ Z-Girt with a steel stud backing



Armatherm™ Z-Girt Profile



www.armatherm.com

Product Submittal Sheet

Project Information

Project Name:

Address:

Girt Depth:

Contractor Information

Name:

Contact:

Phone:

Fax:

Architect Information

Name:

Contact:

Phone:

Fax:

