

ARMAGIRT™ Z-GIRT

Data Sheet



ARMAGIRT™ Z-GIRT

Non-metallic Z-girts are an ideal product for furring exterior walls on a new/existing masonry or steel stud backing. The ArmaGirt™ was developed to reduce heat loss in the building envelope while increasing the effective R-Value of the total wall assembly.

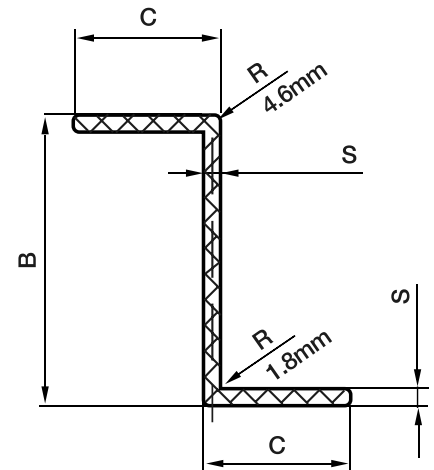
PRODUCT DATA:

Material: Fiber-reinforced plastic

Stock Lengths: 9'0" long

Full Crates

Z-Girt Depth	Lineal Footage	Sticks	Weight (lbs)
1.5"	3,600	400	2,100
2"	3,303	367	2,302
2.5"	2,997	333	2,271
3"	2,700	300	2,200
3.5"	1,701	189	2,174
4"	1,602	178	2,236
6"	1,251	139	2,155

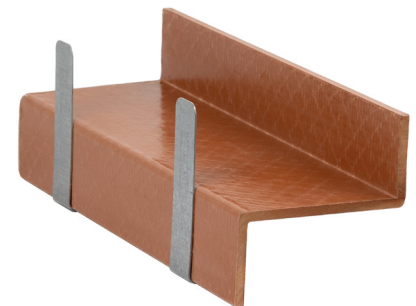


ArmaGirt™ Profile

Item	Dimensions (mm)		
	B	C	S
ArmaGirt™ Z-Girt 1.5"	38.1 ± 0.20	38 ± 0.20	4.0 ± 0.2
ArmaGirt™ Z-Girt 2"	50.8 ± 0.25	38 ± 0.20	4.0 ± 0.2
ArmaGirt™ Z-Girt 2.5"	65.5 ± 0.30	38 ± 0.20	4.0 ± 0.2
ArmaGirt™ Z-Girt 3"	76.2 ± 0.35	38 ± 0.20	4.0 ± 0.2
ArmaGirt™ Z-Girt 3.5"	89 ± 0.4	45.7 ± 0.20	5.0 ± 0.2
ArmaGirt™ Z-Girt 4"	101.6 ± 0.5	51 ± 0.25	5.0 ± 0.2
ArmaGirt™ Z-Girt 6"	154.1 ± 0.6	45.7 ± 0.20	5.0 ± 0.2

Additional Accessories Available:

- ArmaGirt™ Z-Girt Self Tap Exterior Cladding Fastener
- Armatherm™ Insulation Clips



ArmaGirt™ Insulation Clip



ARMAGIRT™ Z-GIRT

Cladding Accessories



RJC-1A CLIP

The RJC-1A Clip creates a quick and easy alternative to keep your insulation on the wall.

PRODUCT DATA:

Material: 24 gauge galvanized tempered steel

The clip, 1" wide x 3.5" long, is made from 24 gauge galvanized tempered steel that helps keep the clip tight to 4mm and 5mm ArmaGirt™ Z-Girts.

The "ski slope" design helps slide the clip onto the girt. This may be applied to the girt before fastening to the studs, or after the insulation is placed on the wall.

RJC-1A Clips are shipped in a 8" x 8" x 8" box weighing approximately 20lbs. Each box contains 400 clips, enough to cover 1,065 square foot of wall.



ArmaGirt™ with Insulation



ArmaGirt™ Full Range



ArmaGirt™ Insulation Clip

